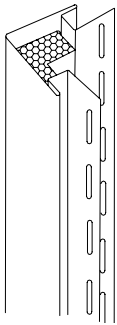


CRANEBOARD® BOARD AND BATTEN INSTALLATION

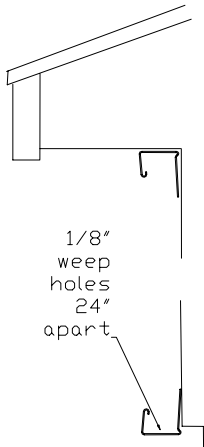
INSTALLING ACCESSORIES

Prepare the walls as you would for any siding installation making certain to properly integrate any necessary flashing, etc. This product must be installed over a solid nailable surface or furring strips installed horizontally at a maximum of 12" on center. Follow all basic vinyl siding installation guidelines.



SOLID CORE™ Outside and Inside Corner Posts

Leave a 1/4" gap between the top of the post and the eave or soffit. Position a nail at the top of the uppermost nail slot on both sides of the post, leaving a 1/32" between the nail heads and the post. Place all other nails in the center of the slots at 10" to 12" intervals. Make certain the post is straight and plumb.



Top and Bottom Receivers

Install J channel receivers at the top and bottom. Remember to drill 1/8" diameter weep holes in the bottom receiver no more than 24" apart.

Fasten channels every 8" to 12" in the center of the nail slots. All vinyl should be fastened securely but not tightly. Leave 1/4" gaps at corner posts, etc.

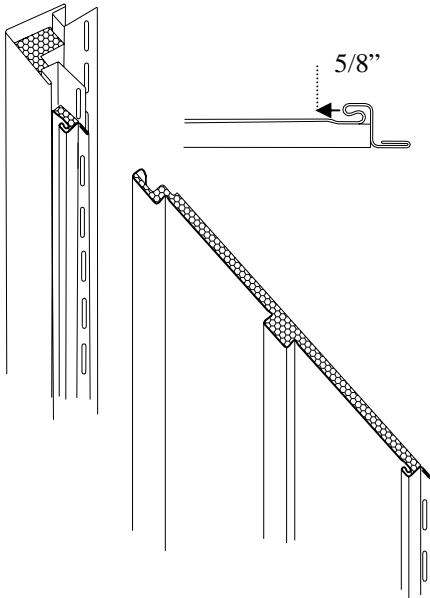
Where lengths adjoin, trim the nailing flange 1" and overlap 1/2".

J Channel around Windows and Doors

Install 1-1/8" J channel as you would other vinyl J channels nailing every 8" to 10". Make sure you create water diversion tabs on both ends of the top channels.

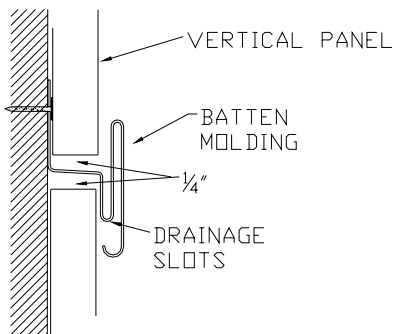
CRANEBOARD® BOARD AND BATTEN INSTALLATION, *continued*

INSTALLING PANELS

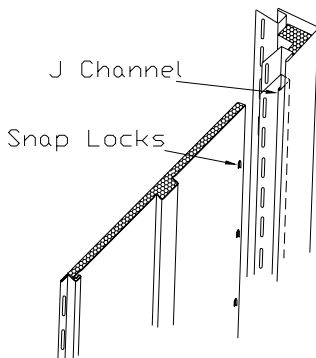


Create a starter strip by measuring a minimum of 5/8" from the lock of a panel, removing the lock and installing it in the pocket of the corner post as shown. This will allow enough space for the first full panel to be engaged into the starter. Save the remainder of the starter piece to possibly finish off at the other end of the wall. A SOLID CORE SIDING® starter strip may also be used. If so, make sure to leave enough room in the pocket of the corner post to engage the first panel.

Install panels leaving 1/4" gap in the top receiver and 3/8" gap in the bottom receiver. To do this, hang each panel by placing the first fastener in the top of an upper nail slot and the remainder of the fasteners in the center of nail slots at a maximum of 12" on center. Be sure to leave a 1/32" gap between the nail head and the panel to allow for expansion and contraction.



If more than one course of vertical siding is required to cover the height of the home, or transitioning from one siding product to another, install batten mold over the top of the first course as shown. Strike a chalk line 2 1/4" above the top of the first course of siding. Position the top edge of the batten mold along the chalk line and fasten every 8" to 12".



When installing around windows or doors, use a snap lock tool to secure the cut edge of the panel into the J channel. Depending upon where the cut falls on the panel, it may be necessary to install a piece of universal J channel inside the 1-1/8" channel. The cut edge of the panel should be snug in the channel to be secure. Installation of a shim may be needed. Similarly, when installing the final piece of siding, secure the panel into a piece of J channel using a snap lock tool as shown.